

2022 **BLASTHOLE DRILLING**





***Over 20 years
of design &
manufacturing
experience
in the mining
& drilling
industry***

CONTENTS

- 2 MAMMOTH INTRODUCTION
- 3 - 5 CONTACT DETAILS
- 6 MAMMOTH SERVICES
- 7 - 8 PRODUCT MAP
- 9 - 14 MAMMOTH DECK BUSH



COMPANY OVERVIEW

Introduction

Mammoth Technologies is a design & manufacturing corporation within the mining & drilling industry, creating a dynamic presence in the international market. The Mammoth Breakout Wrench drew attention to our innovative yet uncomplicated approach to problem-solving within the global market when we first introduced it in 1999. Development and product refinement and improvement is a continuous process in the business. Our product development drive has been shaped and guided by the requirements, needs & frustrations gleaned from our clients in the global market. This has led us to develop a reasonably priced range of durable, cost-effective products in the various sectors of the mining industry. They were designed for: improving safety; simplifying operation; lowering maintenance costs.

Vision Statement

Our vision is to be a well-established brand in the mining & drilling industry, leading the way through safety, quality, service & price, driven by ethical standards and time tested values.

Mission Statement

To produce better products that are affordable, safer to use and easier to work with. Better. Affordable. Safer. Easier.

Expertise

Mammoth Technologies takes responsibility for all the phases of the process including conceptualization, market research, design, manufacturing & testing, through to distribution and service. All manufacturing (including process manufacturing) is done in-house.

Contact Details

Head Office

Mammoth Technologies Pty Ltd
6689 Kotzenberg Street,
Rosslyn, Pretoria, 0200, Gauteng

Tel: +27 12 541 4196
Fax: +27 12 541 4183
www.mammothtech.co.za

Witbank Branch

Mammoth Technologies Pty Ltd
9A Chopin Street, Klarinet Business Area,
eMalahleni, 1035, Mpumalanga

Tel: +27 13 656 1380
Fax: +27 13 690 1587
www.mammothtech.co.za

Product Specialists

Buks van Rooyen
Mobile: +27 72 580 4340
Email: buks@mammothtech.co.za

Kobie Rossouw
Mobile: +27 84 577 7862
Email: kobie@mammothtech.co.za

Managing Director

Kim Ishwarlall
Mobile: +27 82 889 9992
Email: kim@mammothtech.co.za

Head of Sales and Marketing

Graham Brandling
Mobile: +27 82 701 1296
Email: graham@mammothtech.co.za

Head of Technical and Design

Juan Gouws
Mobile: +27 72 597 2659
Email: juang@mammothtech.co.za

International Distributors

MOZAMBIQUE

Mammoth International

Sam Maganya
Mobile: +258 84 930 4606
Email: sam@mammothinternational.co.mz
Web: www.mammothinternational.co.mz

AUSTRALIA

Mammoth Drill Tools Australia

Paul Fooks
Mobile: +61 427 475546
Email: paul.fooks@mammothdrill.com.au
Email: info@mammothdrill.com.au
Web: www.mammothtech.co.za

BRAZIL

Mammoth Drill Tools Brazil

Fillipi Guerra
Mobile: +55 (31) 9 9970 2501
Email: fillipi@mammothdrilltools.com.br
Web: www.mammothdrilltools.co.br

PERU

Mammoth Milalion SAC

Cesar D. Rodriguez Manrique
Mobile: +51 995 510 002
Email: cesar.rodriguez@mammothmilalion.com
Web: www.mammothmilalion.com

USA/CANADA

HD Drilling Resolution

Daniel Rosenbach
Mobile: +1 214-542-9665
Email: info@hd-drillres.com
Web: www.hd-drillres.com

BOTSWANA

Site Office

Ronnie Van der Nest
Mobile: +267 74 889 552
Email: ronnie@mammothtech.co.za
www.mammothtech.co.za

Regional Joint Ventures

MOKOPANE REGION

Letona Holdings 1

Phill Kgaphola

Mobile: +27 78 437 6832

Tel: +27 15 280 0156

Email: admin@letonaholdings.com

Website: www.letonaholdings.com

AUSTRALIA

Mammoth Drill Tools Australia

Paul Fooks

Mobile: +61 427 475546

Email: paul.fooks@mammothdrill.com.au

Email: info@mammothdrill.com.au

Web: www.mammothtech.co.za

Local Distributors

NORTHERN CAPE

Nsimbi Equipment Traders

Craig Dube

Mobile: +27 76 491 6951

Tel: +27 11 446 5775

Email: c.dube@nsimbiequipment.com

Web: www.nsimbiequipment.com

NORTHERN CAPE

Mammoth Drill Tools Northern Cape

Orbed Petrus

Mobile: +27 73 202 4055

Whitey Thomas

Mobile: +27 82 577 9677

Distributor/Agent

Name: _____

Mobile: _____

Email: _____

Mammoth Services

Mammoth Technologies offers a wide range of versatility in our field of expertise.

General Services

- R&D
- CAD drawings, 3D/solids, simulations and more
- Innovative solutions to relative problems
- Conceptualization
- Hydraulic Design
- Electrical Design
- Application Specific Hardware Design
- Application Specific Software Design
- Manufacturing
- Process Manufacturing
- Reverse Engineering
- Patent Searches / Patents Processing
- Specific problem solving and research
- Product marketing solutions

Innovative and Consumable Services

- Servicing and repairs of Mammoth innovative products
- Breakout benches for breaking of tight joints, due to tension build up during drilling
- Straightening and repairs of drill rods



Repairs/Services/Refurbishment

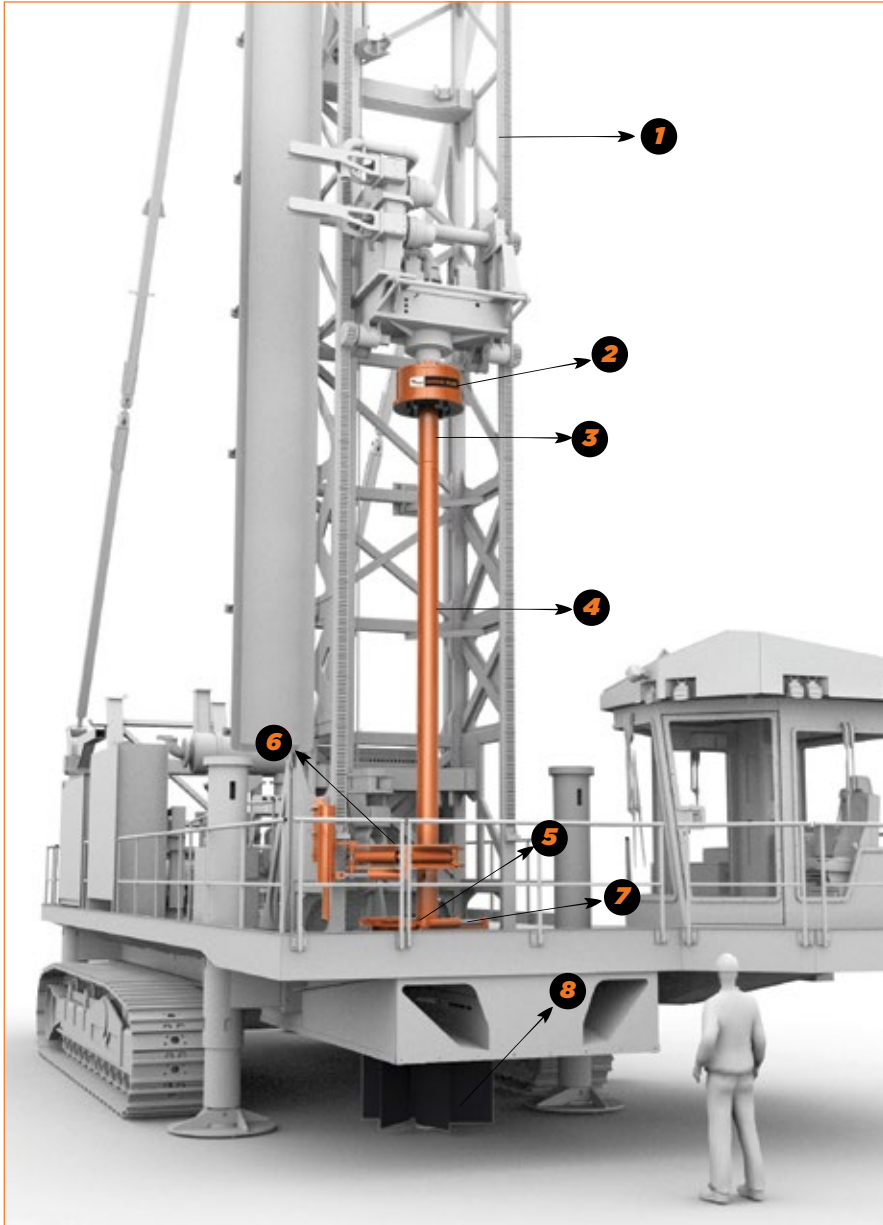
repairs@mammothtech.co.za

For all general repairs, services, and refurbishments on Mammoth products, including existing products, regardless of manufacturer or origin.

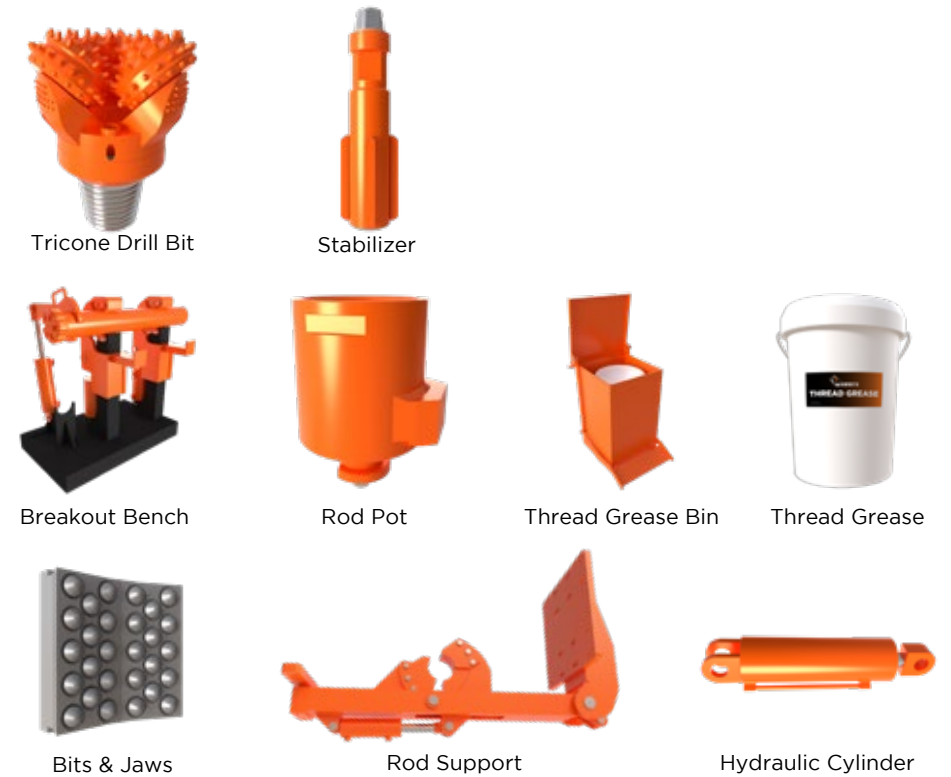
Product Quality

Because of our uncompromising commitment to safety, quality and functionality it is essential that only approved genuine parts and consumables are used on the Mammoth product range.

Product Map



Product



01

**MAMMOTH
DECK BUSH**



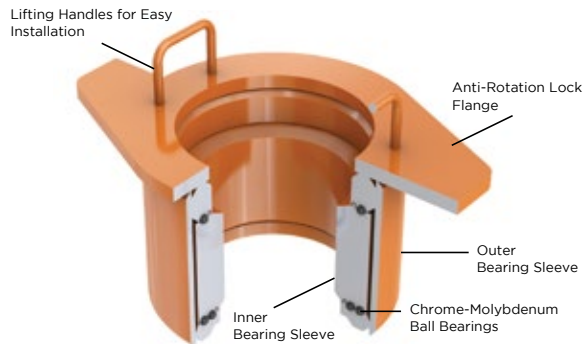
Mammoth Deck Bush

The Mammoth Deckbush is used for the purpose of stabilizing the centre of the drill rod. The Mammoth Deckbush can be manufactured to individual requirements & specifications.

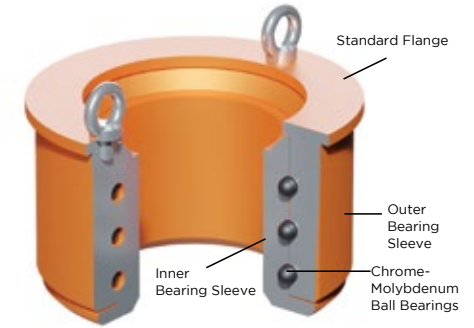
Benefits of the Mammoth Deck Bush

- Quality manufacturing
- Durability for the best performance
- Produced to our standard quality manufacturing procedures

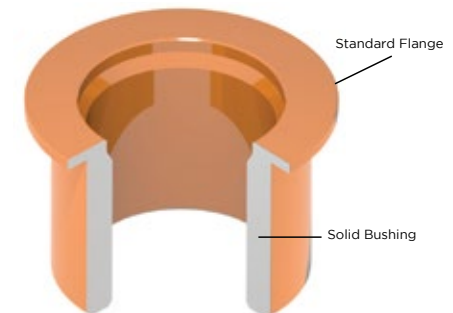
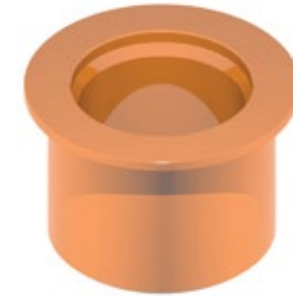
Roller Deck Bush



Roller Deck Bush

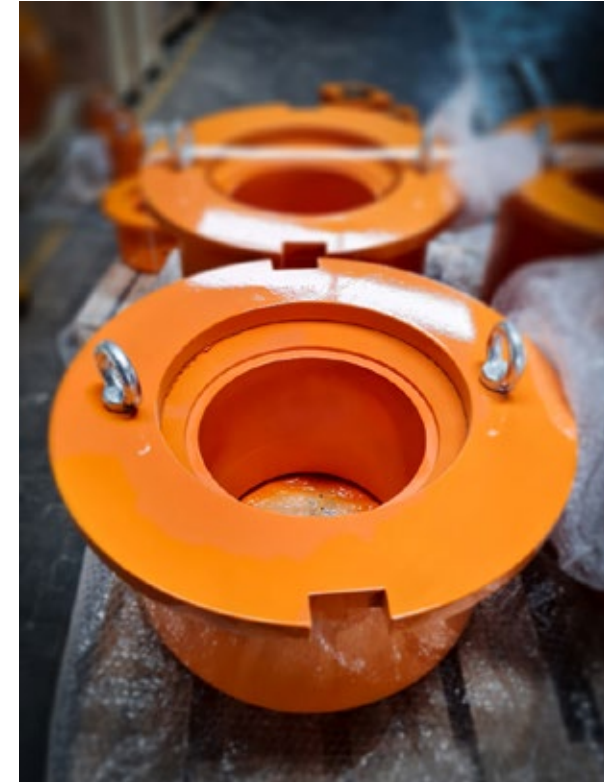


Static Deck Bush



Technical Specifications - Deck Bush

Specifications	Mammoth Technologies All designs, specifications & components of the equipment described herein are subject to change at the manufacturer's discretion at any time without prior notice.																																																																																				
Rotary Deckbush	2 or 3 Row, Solid Ball Races																																																																																				
OEM Machines	<p>The Mammoth Deckbush can be designed to fit any OEM machine application.</p> <p>The Mammoth Deckbush is not limited to the specified range to the right.</p> <table border="1"> <tr> <th colspan="6">Epiroc</th> </tr> <tr> <td>DM25</td> <td>DM30</td> <td>DM45</td> <td>DM50</td> <td>DML</td> <td>DMM2</td> </tr> <tr> <td>DMLSP</td> <td>PV271</td> <td>PV275</td> <td>PV351</td> <td>T4BH</td> <td>DMM3</td> </tr> <tr> <th colspan="6">Tamrock - Drilltech</th> </tr> <tr> <td>D25K</td> <td>D40K</td> <td>D45K</td> <td>D50K</td> <td colspan="2">D55SP</td> </tr> <tr> <td>D60K</td> <td>D80K</td> <td>D90K</td> <td>1190E</td> <td colspan="2">D75K</td> </tr> <tr> <th colspan="6">Reeddrill</th> </tr> <tr> <td>SKF</td> <td>SKT</td> <td>SK35</td> <td>SK40</td> <td>SK45</td> <td>SK50, SK55</td> </tr> <tr> <th colspan="6">Gardner Denver</th> </tr> <tr> <td>DG70</td> <td>GD CL90</td> <td>GD100</td> <td>GD120</td> <td>DD100</td> <td>GD250XP</td> </tr> <tr> <th colspan="6">Bucyrus</th> </tr> <tr> <td>BE-35R</td> <td>45R</td> <td>47R</td> <td>55R</td> <td>49R</td> <td>59R, 60R</td> </tr> <tr> <th colspan="3">Revathi</th> <th colspan="3">P&H</th> </tr> <tr> <td>35HR</td> <td>37HR</td> <td>C750</td> <td>120</td> <td>250</td> <td>320</td> </tr> </table>	Epiroc						DM25	DM30	DM45	DM50	DML	DMM2	DMLSP	PV271	PV275	PV351	T4BH	DMM3	Tamrock - Drilltech						D25K	D40K	D45K	D50K	D55SP		D60K	D80K	D90K	1190E	D75K		Reeddrill						SKF	SKT	SK35	SK40	SK45	SK50, SK55	Gardner Denver						DG70	GD CL90	GD100	GD120	DD100	GD250XP	Bucyrus						BE-35R	45R	47R	55R	49R	59R, 60R	Revathi			P&H			35HR	37HR	C750	120	250	320
Epiroc																																																																																					
DM25	DM30	DM45	DM50	DML	DMM2																																																																																
DMLSP	PV271	PV275	PV351	T4BH	DMM3																																																																																
Tamrock - Drilltech																																																																																					
D25K	D40K	D45K	D50K	D55SP																																																																																	
D60K	D80K	D90K	1190E	D75K																																																																																	
Reeddrill																																																																																					
SKF	SKT	SK35	SK40	SK45	SK50, SK55																																																																																
Gardner Denver																																																																																					
DG70	GD CL90	GD100	GD120	DD100	GD250XP																																																																																
Bucyrus																																																																																					
BE-35R	45R	47R	55R	49R	59R, 60R																																																																																
Revathi			P&H																																																																																		
35HR	37HR	C750	120	250	320																																																																																
Requirements from customer	Drill manufacturer Drill model Deck opening Drill rod diameter Top flange dimensions Deck top slot dimensions																																																																																				



The Mammoth Deckbush can be manufactured to customer specifications

2022 **BLASTHOLE DRILLING**

